

LINDY®

CONNECTION PERFECTION

DVI-D to VGA/Component Converter

User Guide

English



LINDY No. 32562

www.lindy.com



Introduction

Thank you for purchasing the LINDY DVI-D to VGA/Component Converter. This compact unit converts digital DVI-D video signals to analogue VGA (RGBHV) or HD Component (YPbPr) allowing you to view a DVI-D source such as, set top box, DVD player, games console etc on older TV's, computer monitors and projectors. A HDMI source may also be used with suitable adapter cable (no support for audio).

Features

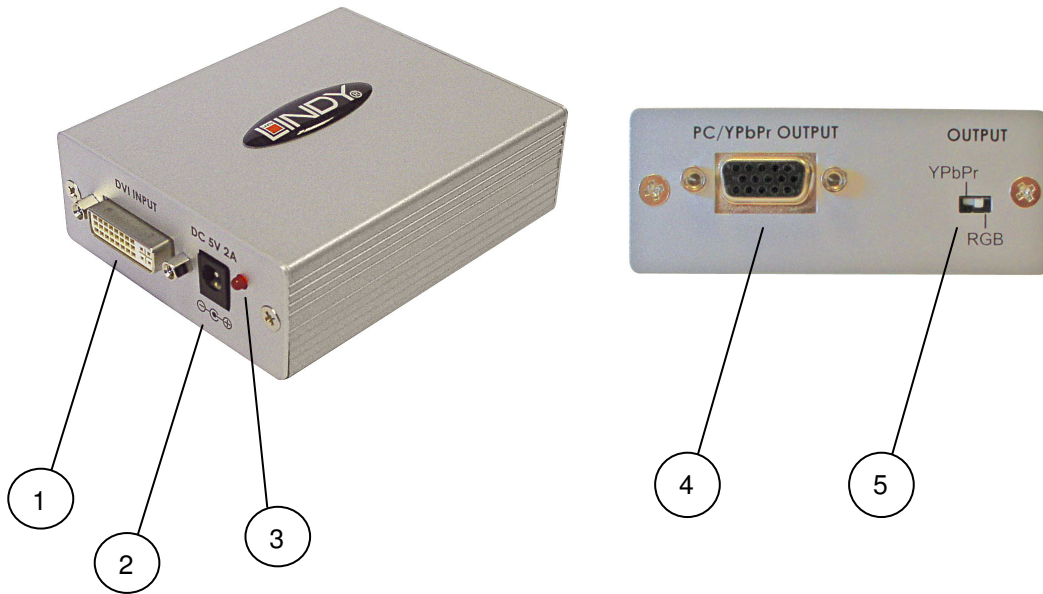
- Compact desktop design
- Plug and Play no software driver required
- Compatible with PC and Mac computers
- Compliant with DVI Rev 1.0
- Input: DVI-D 1.65Gbps (single link)
- Dimensions: 77 x 95 x 30mm (WxDxH)
- Weight: 0.47Kg

Package Contents

- DVI-D to VGA/Component Converter
 - Multi-Country switching power adapter: 100~240V AC 50-60Hz / +5VDC / 2 Amp centre positive with Ferrite Core on the DC cable, includes Euro, US, UK & Australian adapters
 - 1 x 15 Way HD VGA Male to 3 x RCA (Phono) Adapter cable 1m approx
 - This user guide
-

Connectors and Controls

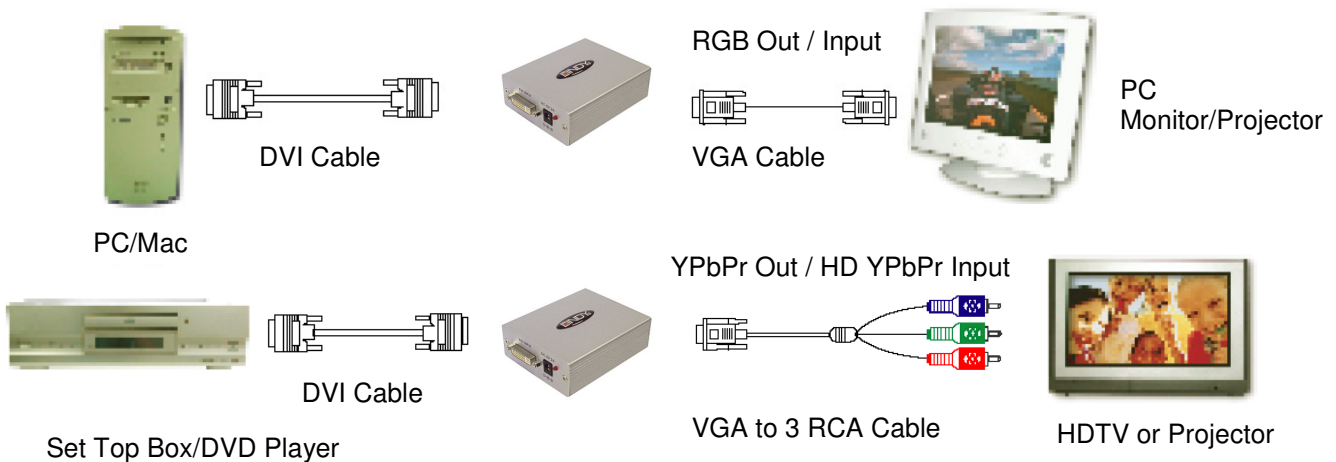
- 1. DVI-D Input Connector: Connect your DVI-D source here (Supports DVI-D only)
- 2. DC 5V 2A socket: Connect the supplied Power unit here
- 3. Power On Indicator: This LED indicator will light when power is applied
- 4. 15 Way HD VGA Connector: Connect your display here
- 5. Selector Switch: Use this switch to select the output signal type, RGB or YPbPr



Installation

The LINDY DVI-D to VGA/Component Converter is a true Plug and Play device which does not require any software or drivers to operate. Ensure that all the equipment is powered off, and then simply attach a DVI-D or DVI-I cable to your video source and the input connector. Choose the required cable for your display type and connect it to the output connector and your display. Ensure you select the correct video output format, RGB or YPbPr using the slide switch on the unit. Once all cables are connected, apply power to the display, then apply power to the converter and finally apply power to the source device.

The diagrams below show examples of applications using the DVI-D to VGA/Component Converter.



CE/FCC/WEEE Statement

CE Statement

This equipment complies with the requirements relating to Electromagnetic Compatibility Standards EN55022/EN55024 and the further standards cited therein. It must be used with shielded cables only. It has been manufactured under the scope of RoHS compliance.

CE Konformitätserklärung

Dieses Produkt entspricht den einschlägigen EMV Richtlinien der EU für IT-Equipment und darf nur zusammen mit abgeschirmten Kabeln verwendet werden.

Diese Geräte wurden unter Berücksichtigung der RoHS Vorgaben hergestellt.

Die formelle Konformitätserklärung können wir Ihnen auf Anforderung zur Verfügung stellen

FCC Statement

This equipment has been tested and found to comply with the limits for a Class B digital device, pursuant to part 15 of the FCC Rules. These limits are designed to provide reasonable protection against harmful interference in a residential installation.

You are cautioned that changes or modification not expressly approved by the party responsible for compliance could void your authority to operate the equipment.

This device complies with part 15 of the FCC Rules.

Operation is subject to the following two conditions:

1. This device may not cause harmful interference, and
2. This device must accept any interference received, including interference that may cause undesired operation.

LINDY Herstellergarantie – Hinweis für Kunden in Deutschland

LINDY gewährt für dieses Produkt über die gesetzliche Regelung in Deutschland hinaus eine zweijährige Hersteller-garantie ab Kaufdatum. Die detaillierten Bedingungen dieser Garantie finden Sie auf der LINDY Website aufgelistet bei den AGBs.



**WEEE (Waste of Electrical and Electronic Equipment),
Recycling of Electronic Products**

Europe, United Kingdom

In 2006 the European Union introduced regulations (WEEE) for the collection and recycling of all waste electrical and electronic equipment. It is no longer allowable to simply throw away electrical and electronic equipment. Instead, these products must enter the recycling process.

Each individual EU member state has implemented the WEEE regulations into national law in slightly different ways. Please follow your national law when you want to dispose of any electrical or electronic products. More details can be obtained from your national WEEE recycling agency.

Germany / Deutschland

Die Europäische Union hat mit der WEEE Richtlinie Regelungen für die Verschrottung und das Recycling von Elektro- und Elektronikprodukten geschaffen. Diese wurden im Elektro- und Elektronikgerätegesetz – ElektroG in deutsches Recht umgesetzt. Dieses Gesetz verbietet das Entsorgen von entsprechenden, auch alten, Elektro- und Elektronikgeräten über die Hausmülltonne! Diese Geräte müssen den lokalen Sammelsystemen bzw. örtlichen Sammelstellen zugeführt werden! Dort werden sie kostenlos entgegen genommen. Die Kosten für den weiteren Recyclingprozess übernimmt die Gesamtheit der Gerätehersteller.

France

En 2006, l'union Européenne a introduit la nouvelle réglementation (DEEE) pour le recyclage de tout équipement électrique et électronique.

Chaque Etat membre de l' Union Européenne a mis en application la nouvelle réglementation DEEE de manières légèrement différentes. Veuillez suivre le décret d'application correspondant à l'élimination des déchets électriques ou électroniques de votre pays.

Italy

Nel 2006 l'unione europea ha introdotto regolamentazioni (WEEE) per la raccolta e il riciclo di apparecchi elettrici ed elettronici. Non è più consentito semplicemente gettare queste apparecchiature, devono essere riciclate. Ogni stato membro dell' EU ha tramutato le direttive WEEE in leggi statali in varie misure. Fare riferimento alle leggi del proprio Stato quando si dispone di un apparecchio elettrico o elettronico.

Per ulteriori dettagli fare riferimento alla direttiva WEEE sul riciclaggio del proprio Stato.



No. 32562

www.lindy.com